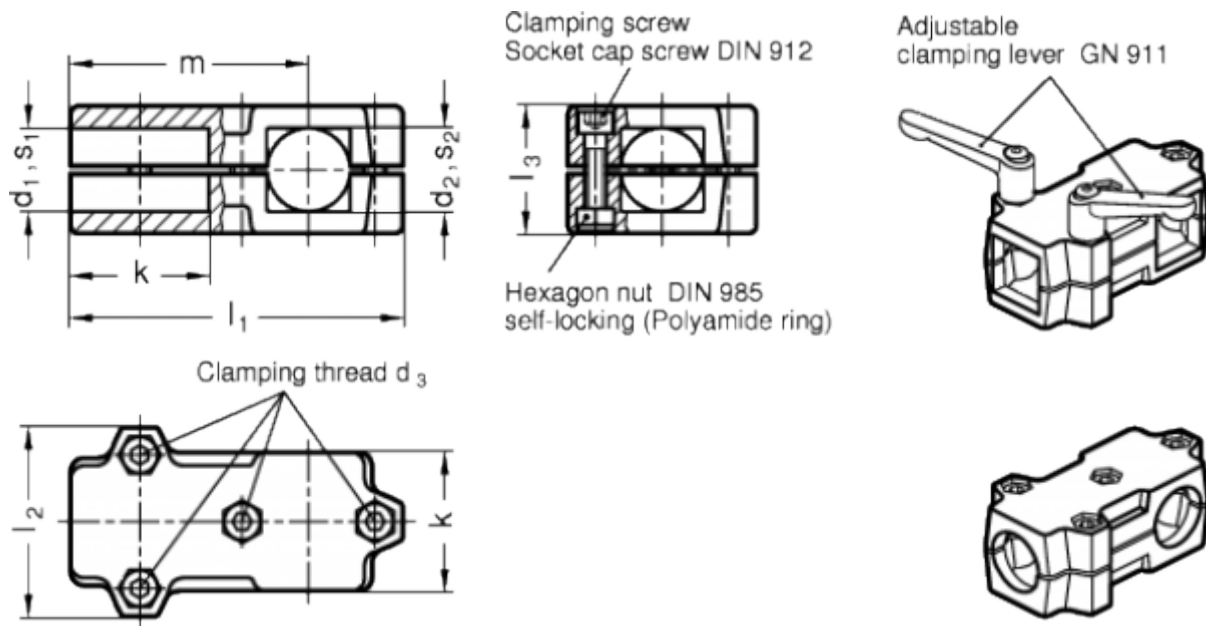


Article number: 20193V30B30602SW
 Description: E+G T-angle clamp
 GN 193-V30-B30-60-2-SW

Measures



Accessories = GN 911-M8-55	m	= -
d1 = -	s1	= 30
d2 = 30	s2	= -
d3 = M8	Weight in (g)	= 728
k = 60		
l1 = 141		
l2 = 79		
l3 = 59		